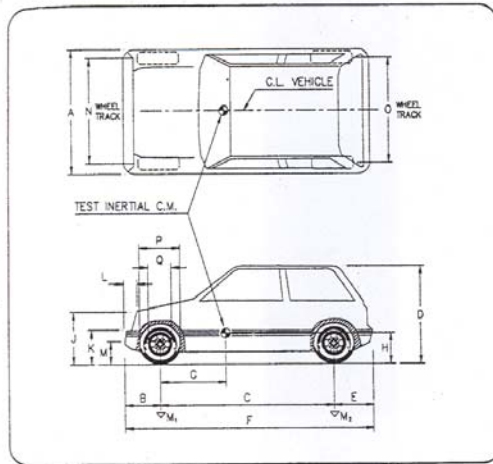


**DATA SHEET NO. 1**  
**VEHICLE PROPERTIES FOR TEST NO. 3-71**

DATE	10/17/03	TEST NO.	1	VI	2CIMR2262T675929
YEAR	1996	MAKE	GEO	MODEL	METRO
TIRE PRESSURE	32 psi	ODOMETER	1028454	TIRE SIZE	175/70R13
ENGINE	Transverse	CYLINDERS	3	DISPLACEMENT	1.0 Liter
TRANSMISSION				MANUAL	5 Speed
DUMMY TYPE	Hybrid III	MASS	75 kg. (165 lbs)	PLACEMENT	Driver Front
DESCRIBE ANY DAMAGE TO VEHICLE PRIOR TO TEST:			None		



TEST VEHICLE GEOMETRY mm (in)					
A	1420 (55.9)	E	540 (21.3)	J	640 (25.2)
B	760 (29.9)	F	3680 (144.9)	K	520 (20.5)
C	2380 (93.7)	G	926 (36.5)	L	100 (3.9)
D	1410 (55.5)	H		M	430 (16.6)
				N	1380 (54.3)
				O	1380 (54.3)
				P	560 (22.0)
				Q	350 (13.8)

MASS kg (lbs)	CURB	TEST INERTIAL	GROSS STATIC
FRONT AXLE	489 (1078)	484 (1068)	534 (1176)
REAR AXLE	322 (710)	306 (674)	341 (752)
TOTAL VEHICLE	811 (1788)	790 (1742)	875 (1928)
DISTRIBUTION			
LEFT FRONT	276 (608)	RIGHT FRONT	258 (568)
LEFT REAR	183 (402)	RIGHT REAR	159 (350)